

4

3

2

1

THIS DRAWING IS UNPUBLISHED.
DIFFUSION RESEINTE AMP

RELEASED FOR PUBLICATION

.19

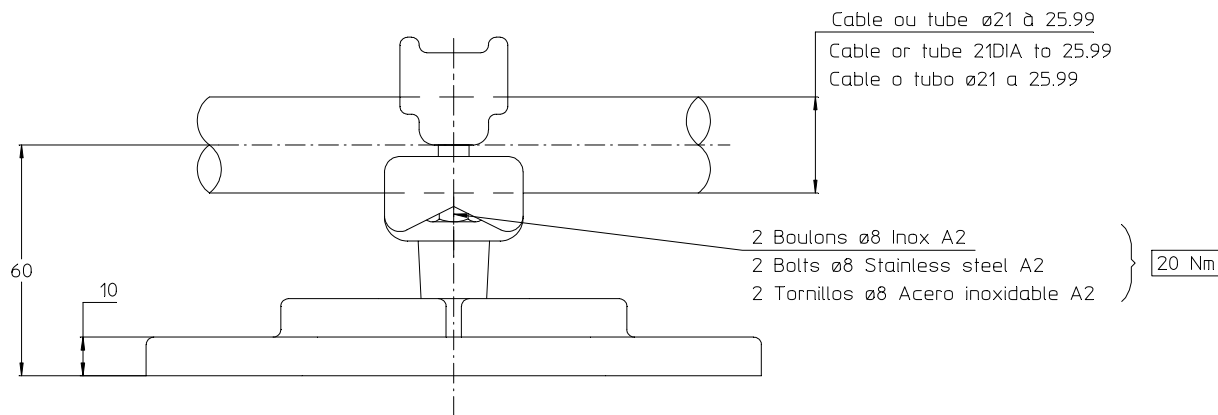
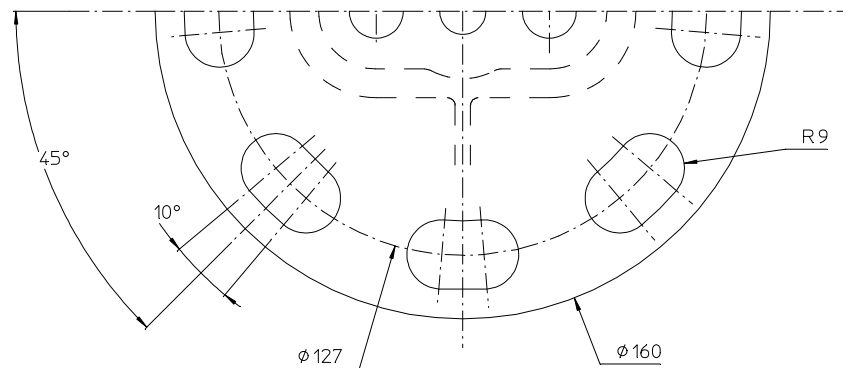
© COPYRIGHT 1997

BY AMP INCORPORATED. ALL RIGHTS RESERVED.
TOUS DROITS RESERVES

LOC DIST
FH 2

REVISIONS

P	LTR REV	DESCRIPTION MODIFICATIONS	DATE	DWN DESS.	APVD APP.
A		FF153	24/02/9	-	-
B		E000-0127-99	17-Mar-99	EN	HV



<small>THIS DRAWING IS A CONTROLLED DOCUMENT FOR AMP INCORPORATED. IT IS SUBJECT TO CHANGE AND THE CONTROLLING ENGINEERING ORGANIZATION SHOULD BE CONTACTED FOR THE LATEST REVISION. CE PLAN EST UN DOCUMENT CONTROLÉ PAR AMP INCORPORATED. IL EST SUSCEPTIBLE D'ÊTRE REVISÉ, CONTACTER LE SERVICE TECHNIQUE D'AMP SIMEL POUR OBTENIR LA DERNIÈRE REVISION.</small>		DWN /DESSINE 24/02/9 VOGEL P. CHK /VERIFIE 17-Mar-99 ROYER	AMP AMP-SIMEL 21220 Gevrey Chambertin FRANCE
DIMENSIONS: mm	TOLERANCES UNLESS OTHERWISE SPECIFIED PER TOLERANCES NON SPECIFIEES SELON : -	APVD /APPROUVE - VIAL PRODUCT SPEC SPEC. PRODUIT 02BFC0031 APPLICATION SPEC SPEC. APPLICATION -	NAME TITRE S 82 P5 25
		WEIGHT MASSE APPROX. 0.9 KG	SIZE FORMAT A3
MATERIAL MATIERE -	FINISH FINITION -	CUSTOMER DWG / PLAN CLIENT	CAGE CODE 00779 DRAWING NO NO PLAN ©-716117
		UNQUEMENT FOUR REFERENCE	SCALE ECHELLE 3/4 SHEET FEUILLE 1 OF 1 DE 1 REV B

ITEM:

